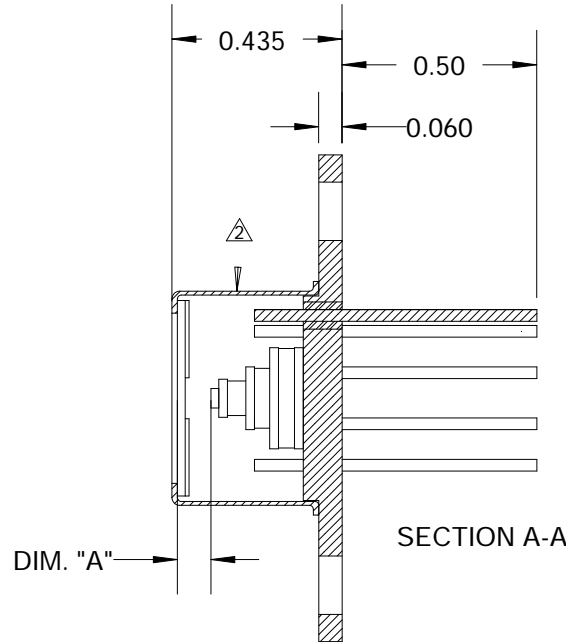
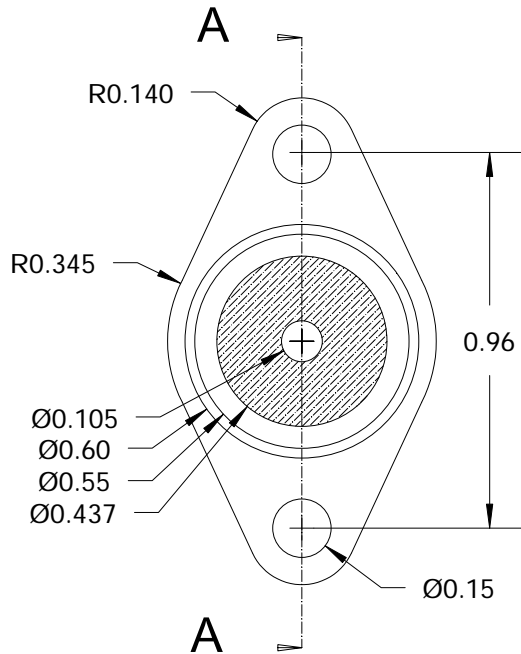


PROPRIETARY NOTICE:
 THIS DOCUMENT AND THE ACCOMPANYING DATA ARE NOT TO BE REPRODUCED, USED BY,
 OR DISCLOSED TO ANYONE, IN WHOLE OR IN PART, WITHOUT THE EXPRESS CONTENT
 OF INFRARED ASSOCIATES, INC.

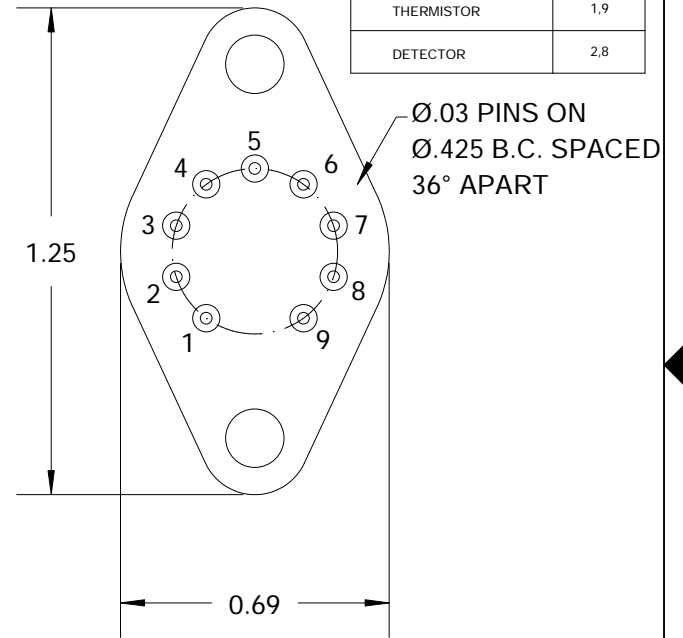
REVISIONS

REV	DESCRIPTION	DATE	APPROVED
0	INITIAL RELEASE	10-1-10	
A	Corrected pin numbering on model	4-24-14	



DIM "A"
 2-STAGE: 0.12"
 3-STAGE: 0.08"

-A-



FUNCTION	PIN
COOLER (-)	4
COOLER (+)	6
THERMISTOR	1,9
DETECTOR	2,8

NOTES:
 1. PIN NUMBERS FOR REFERENCE ONLY
 △ CAP NUMBER

DIMENSIONS UNLESS OTHERWISE SPECIFIED
 ARE IN INCHES
 TOLERANCES:
 FRACTIONS ± 1/64, ANGLES ± 0.5°
 .XXX ± 0.005
 .XX ± 0.01

DO NOT SCALE	THIRD ANGLE PROJECTION	
	By	DATE
Prepared	COLT JESSE	10-1-10
Checked		
Engineering		
Production		
Quality		
Scale:		

Infrared Associates, Inc.
 Stuart, Florida 34997

T.O. 66
 P.C. DETECTOR

Materials	SIZE	FSCM NO.	Drawing Number	REV.
Finish	A		1800-0143	A